



US00D330916S

United States Patent [19]

[11] Patent Number: **Des. 330,916**

Wolfe

[45] Date of Patent: **** Nov. 10, 1992**

[54] **ADJUSTABLE SUPPORT STAND FOR READING MATERIAL**

[76] Inventor: **Dorothy V. Wolfe, 22700 Garrison #603, Dearborn, Mich. 48124-2024**

[**] Term: **14 Years**

[21] Appl. No.: **541,356**

[22] Filed: **Jun. 21, 1990**

[52] U.S. Cl. **D19/91; D6/420; D19/88; D19/86**

[58] Field of Search **D6/310, 419, 420, 399; 281/45; 40/341-349, 351, 352, 357; D19/65, 75, 86, 88, 90, 91, 99, 100; 248/441.1, 442.2, 444.1, 445-447, 447.2, 448-455, 457, 460**

[56] **References Cited**

U.S. PATENT DOCUMENTS

D. 218,980	10/1970	Balkus	D6/420
D. 264,412	5/1982	Vega	D6/310
D. 281,937	12/1985	Roczey	D6/420
D. 296,851	7/1988	Kelley	D6/420
1,384,861	7/1921	Schingel	248/454

2,255,632	9/1941	Stevens .	
2,331,595	10/1943	Bush .	
2,743,550	5/1956	Felice	248/457
2,807,908	10/1957	Lykes	248/451
3,664,629	5/1972	Reed	248/445
4,313,589	2/1982	Vega	248/558
4,754,945	7/1988	Diamond	248/454 X

Primary Examiner—Nelson C. Holtje
Assistant Examiner—Martha Thompson
Attorney, Agent, or Firm—Terry M. Gernstein

[57] **CLAIM**

The ornamental design for an adjustable support stand for reading material, as shown and described.

DESCRIPTION

FIG. 1 is a top, left front perspective view of an adjustable support stand for reading material showing my new design;

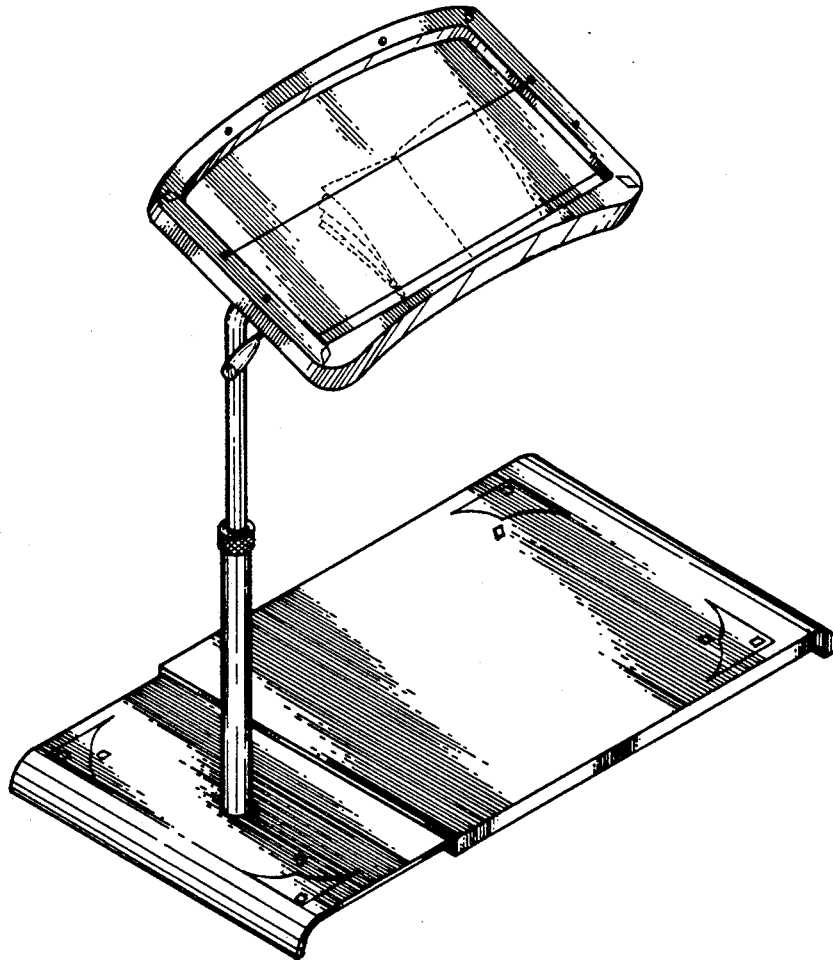
FIG. 2 is a left side elevational view thereof;

FIG. 3 is a rear elevational view thereof;

FIG. 4 is a top plan view thereof; and,

FIG. 5 is a right side elevational view thereof.

The bottom of the article is conventional in appearance.



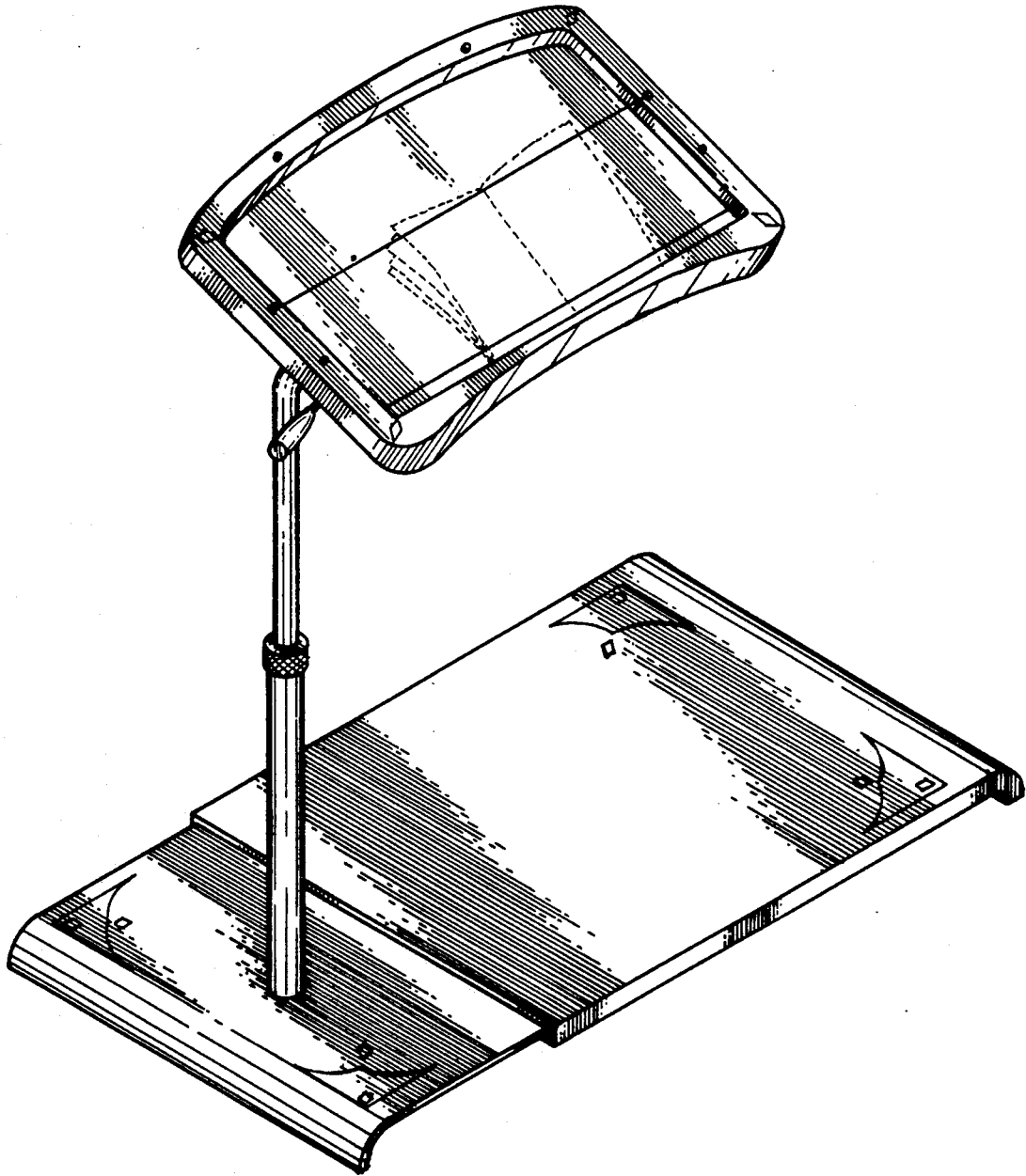


FIG. 1

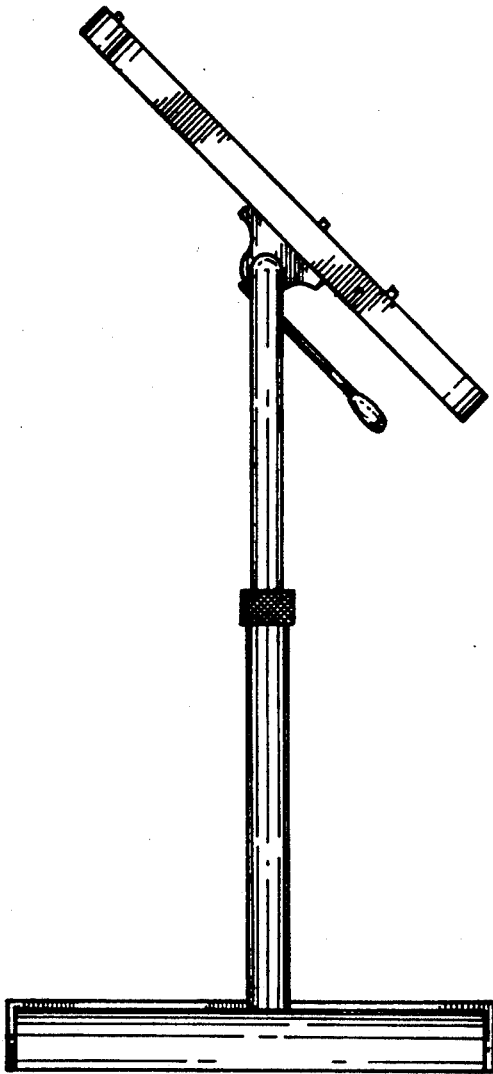


FIG. 2

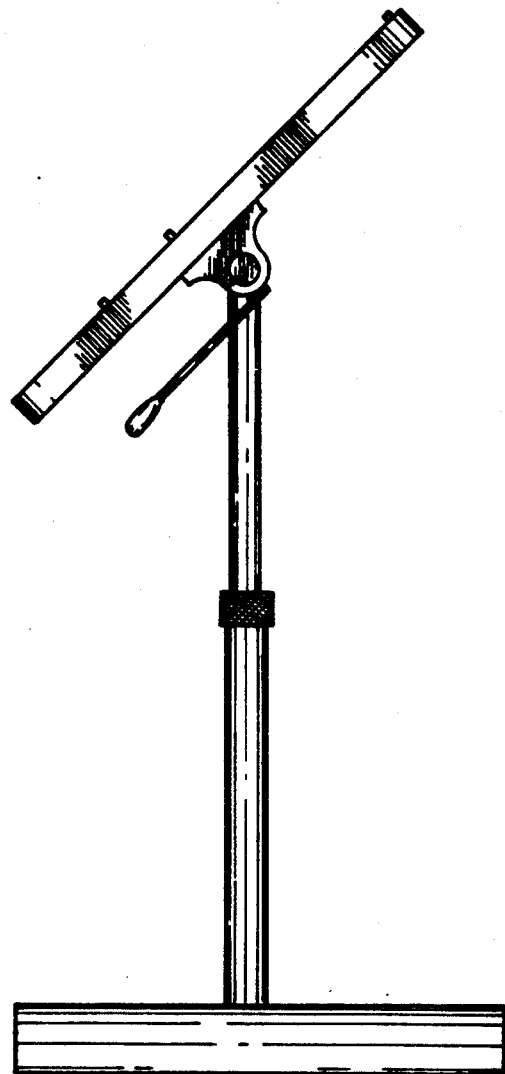


FIG. 5

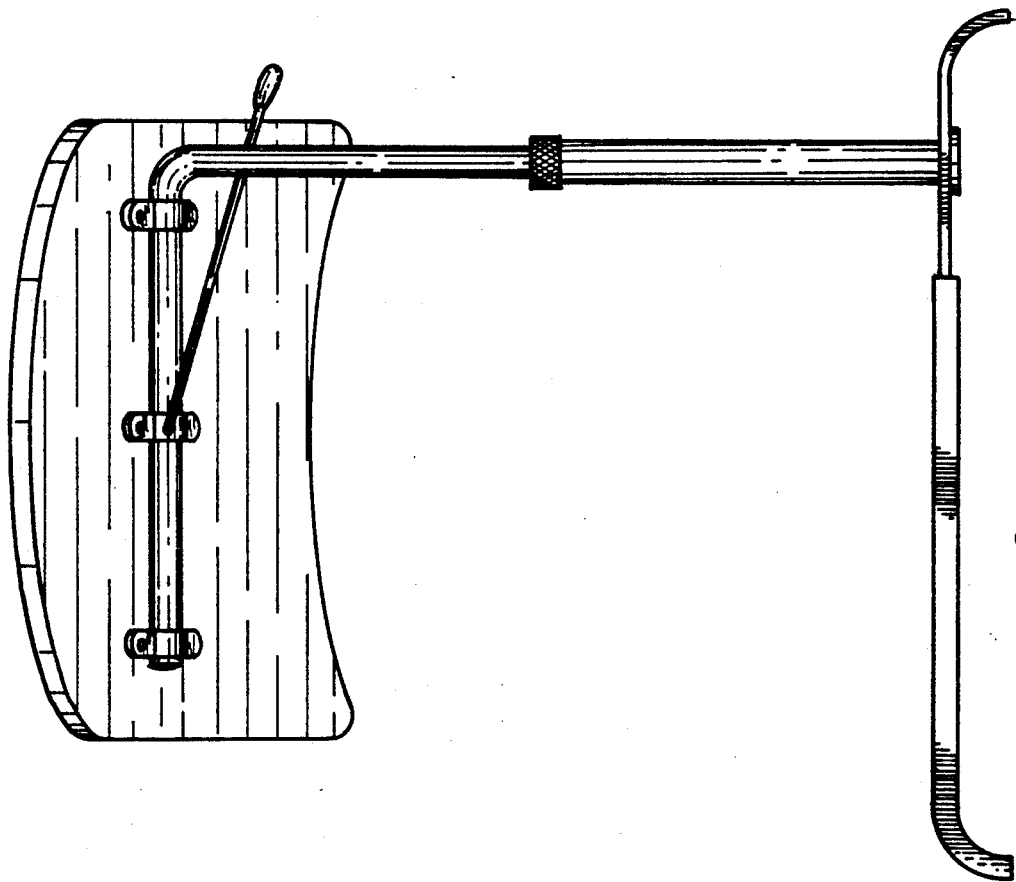


FIG. 3

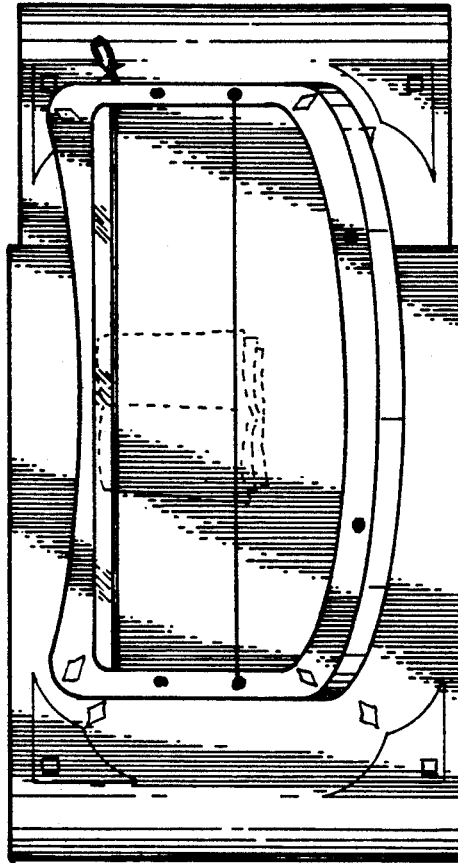


FIG. 4